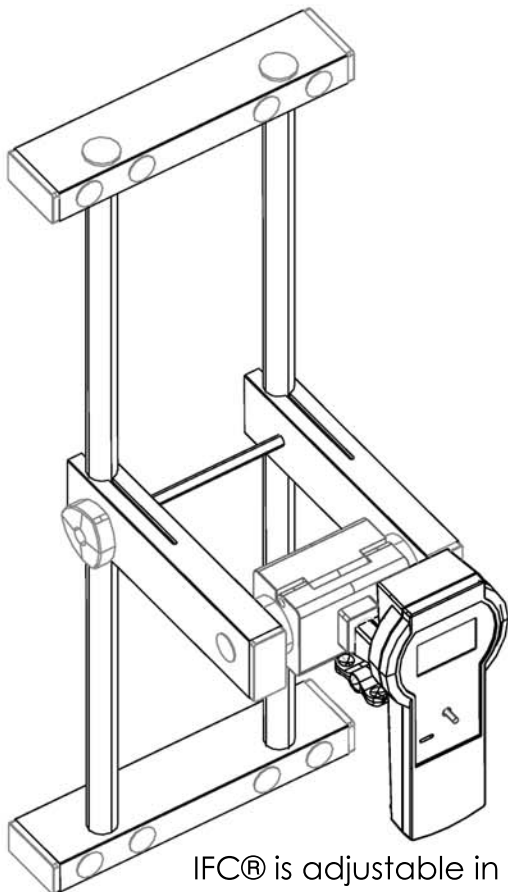


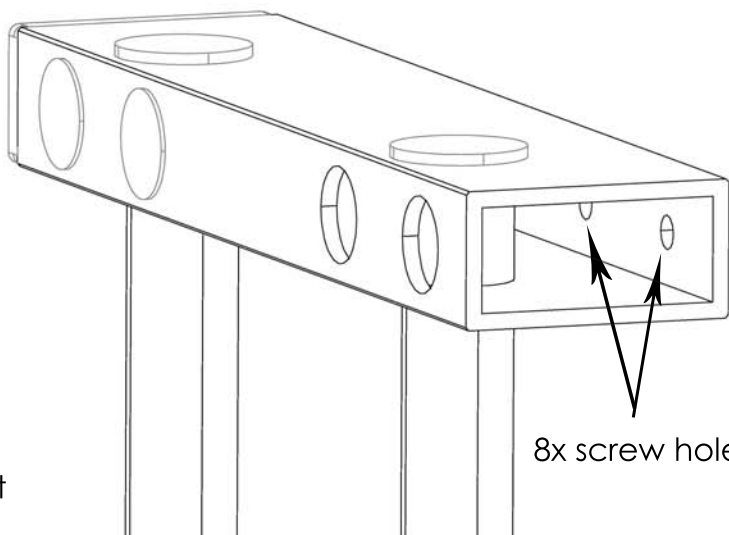
Wall-mounting to IsoForceControl®



IFC® is adjustable in height

Scope of delivery :

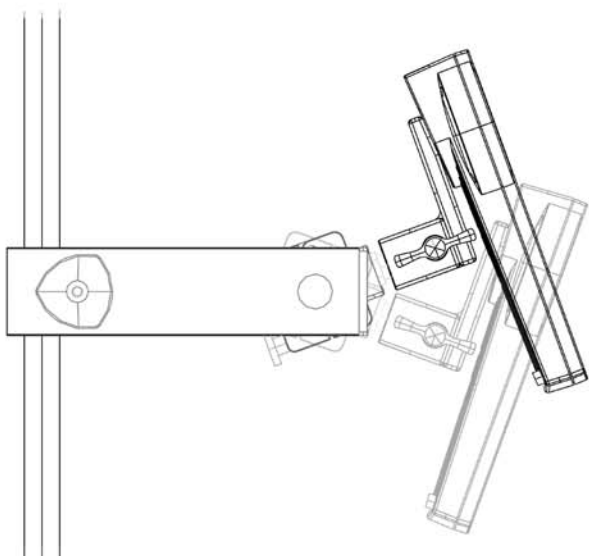
- adjustable wall-mounting completely installed
- 8 pcs. Wall-dowels 8mm
- pcs. mounting screws
- pcs. Covers of plastic



8x screw hole

Assembly instructions :

- place wall-mounting of wished place
- mark the 8 screw holes on the wall
- remove wall-mounting
- drill 8 holes Ø8mm / deep min. 42mm
- lace Wall-dowels
- screw on wall-mounting
- press the 8 plastic Covers into the holes
- fit the IFC® on Appliance-bearers



IFC® turns on wall-mounting in direction of traction force upward and downward